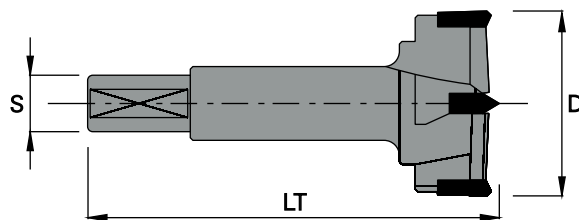


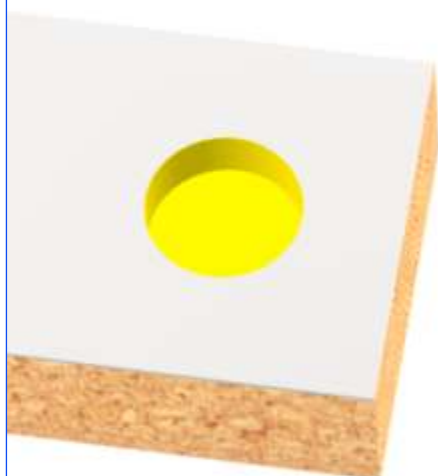
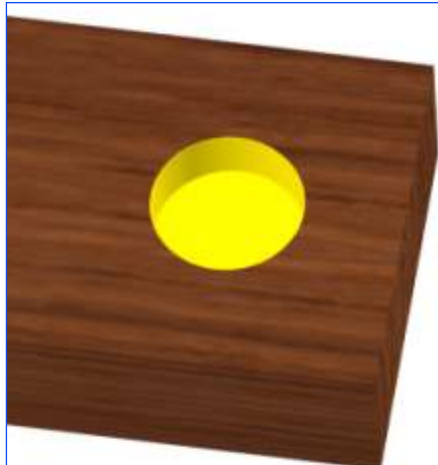
P556



Punta componibile per cerniere



DP



D	LT	S	Z	COD. RH	COD. LH
14	57	10x20	2+2	P5561457R0	P5561457L0
15	57	10x20	2+2	P5561557R0	P5561557L0
16	57	10x20	2+2	P5561657R0	P5561657L0
20	57	10x20	2+2	P5562057R0	P5562057L0
25	57	10x20	2+2	P5562557R0	P5562557L0
26	57	10x20	2+2	P5562657R0	P5562657L0
30	57	10x20	2+2	P5563057R0	P5563057L0
35	57	10x20	2+2	P5563557R0	P5563557L0
14	70	10x20	2+2	P5561470R0	P5561470L0
15	70	10x20	2+2	P5561570R0	P5561570L0
16	70	10x20	2+2	P5561670R0	P5561670L0
20	70	10x20	2+2	P5562070R0	P5562070L0
25	70	10x20	2+2	P5562570R0	P5562570L0
26	70	10x20	2+2	P5562670R0	P5562670L0
30	70	10x20	2+2	P5563070R0	P5563070L0
35	70	10x20	2+2	P5563570R0	P5563570L0

DP hinge boring bit.

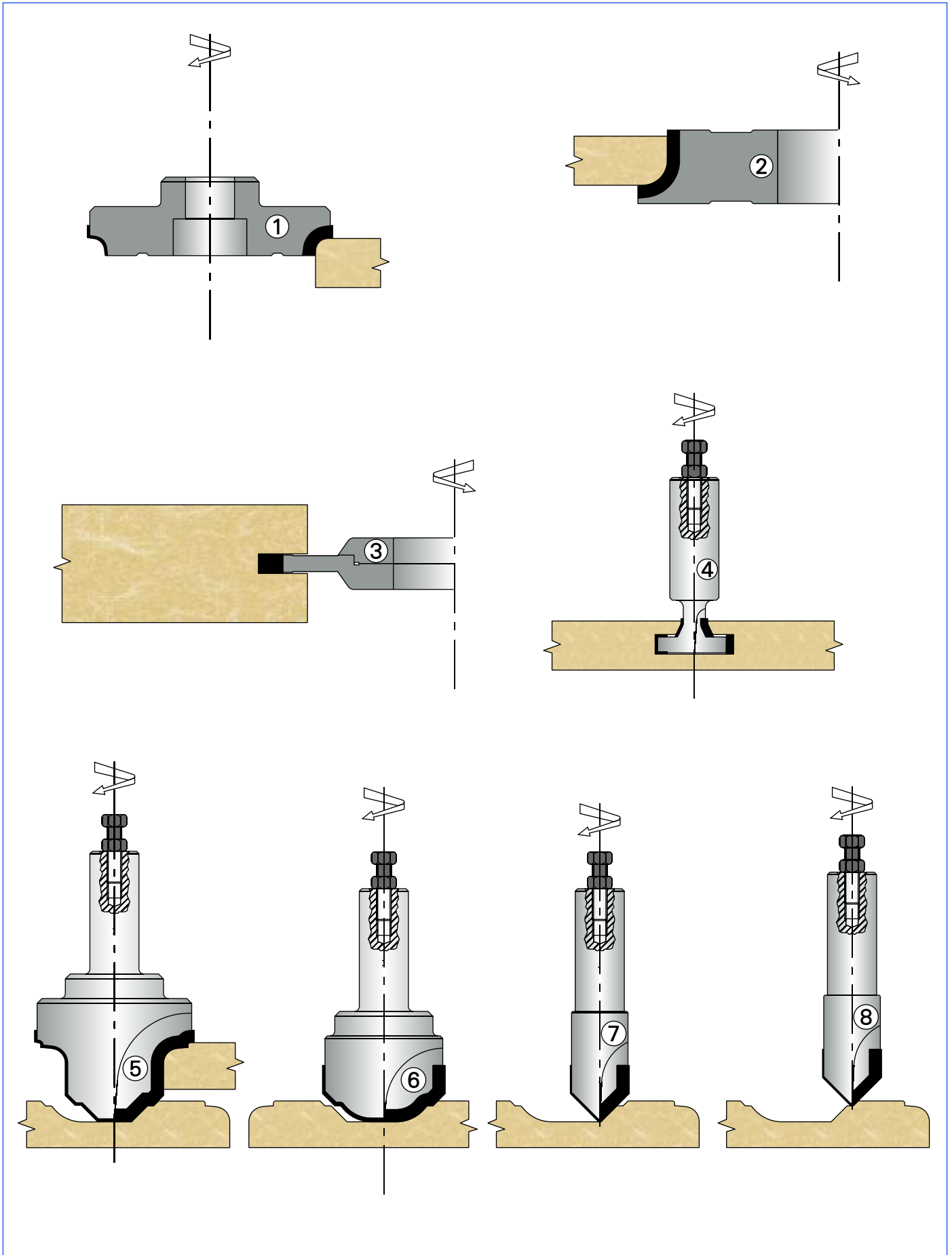
Broca para bisagras de DP.

Mèche à tête cylindrique en DP.

DP Beschlagbohrer.



Frese speciali Esempi di lavorazione



 Examples of DP cutters produced upon request.

 Ejemplos de fresas de DP fabricadas sobre pedido.

 Exemples de fraises en DP fabriquées sur demande.

 Beispiele von DP - Fräsern in Sonderfertigung.